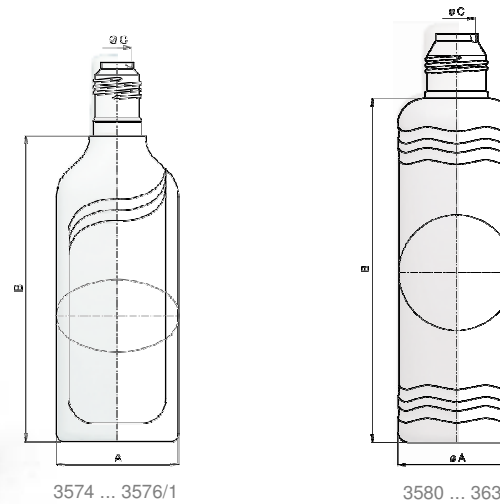


<< SWING >>



ARTIKEL-NR.	INHALT	MATERIAL	GEWICHT	GEWINDE	Ø A	B	Ø C	ARTIKEL-NR.
FPS 3574	250 ml	HDPE	20 g	REBHAN	72 mm	144 mm	17 mm	1360, 1360/1
FPS 3575	500 ml	HDPE	32 g	REBHAN	80 mm	200 mm	18 mm	7370
FPS 3576	1000 ml	HDPE	47 g	REBHAN	95 mm	232 mm	25 mm	1487
FPS 3576/1	1000 ml	HDPE	45 g	REBHAN	95 mm	232 mm	25 mm	7371
FPS 3580	1000 ml	HDPE	42 g	REBHAN	78 mm	229 mm	25 mm	7371
FPS 3639	1000 ml	PET	45 g	REBHAN	78 mm	233 mm	21 mm	1498, 1498/1